

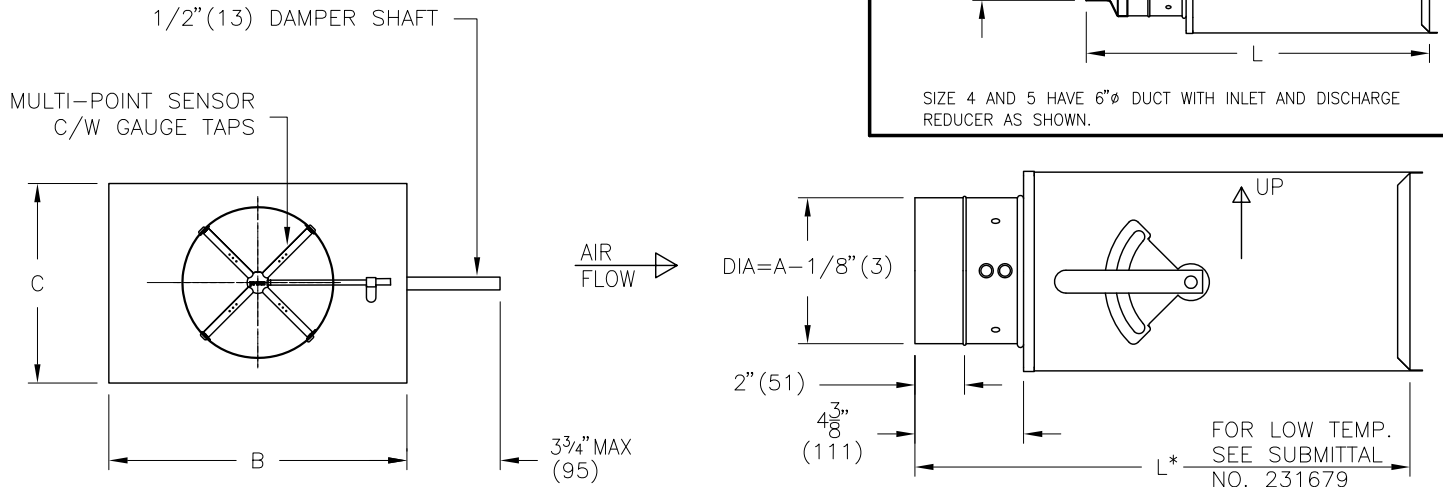
UNIT SIZE	CFM RANGE	L/S RANGE	S.I. UNITS mm	IMP. UNITS in.
			A	A
6	0-450	0-212	152	6
7	0-650	0-307	178	7
8	0-800	0-378	203	8
9	0-1050	0-496	229	9
10	0-1350	0-637	254	10
12	0-2100	0-991	305	12
14	0-3200	0-1510	356	14
16	0-4000	0-1888	406	16

NOTES

- DUCT 22ga GALVANIZED STEEL MECHANICALLY FASTENED
- OPTIONAL COLLAR ALLOWS FOR EASE OF CONNECTION TO TERMINAL INLET

ALL METRIC DIMENSIONS () ARE SOFT CONVERTED. IMPERIAL DIMENSIONS ARE CONVERTED TO METRIC AND ROUNDED TO THE NEAREST MILLIMETER.

PROJECT:		PRICE [®]	
ENGINEER:		<i>KL</i>	RMS REMOTE MEASURING STATION
CUSTOMER:		214818	
SUBMITTAL DATE:	SPEC. SYMBOL:	APR. 1999	



UNIT SIZE	MAX L/S	MAX CFM	S.I. UNITS mm				IMPERIAL UNITS inches			
			OUTLET		INLET	LENGTH	OUTLET		INLET	LENGTH
			B	C	A	L	B	C	A	L
4	106	225	305	203	102	562	12	8	4	22 1/8
5	165	350			127				5	
6	212	450	305	254	152	511	12	10	6	20 1/8
7	307	650			178				7	
8	378	800			203				8	
9	496	1050	356	318	229	600	14	12 1/2	9	23 5/8
10	637	1350			254				10	
12	991	2100	406	381	305	600	20	17 1/2	12	23 5/8
14	1416	3000	508	445	356				14	
16	1888	4000	610	457	406	600	24	18	16	23 5/8

NOTES:

- INTERNAL INSULATION – FIBERGLASS 1/2" (13mm) THICK, MIN. 1.5# DENSITY WHICH MEETS REQUIREMENTS OF NFPA 90A AND UL181.
- 22GA. ZINC COATED STEEL HOUSING. MECHANICALLY SEALED AND GASKETED, LEAK RESISTANT CONSTRUCTION.
- RECTANGULAR DISCHARGE OPENING WITH SLIP AND DRIVE CLEAT DUCT CONNECTION.
- GAUGE TAPS ARE STANDARD.

OPTIONS:

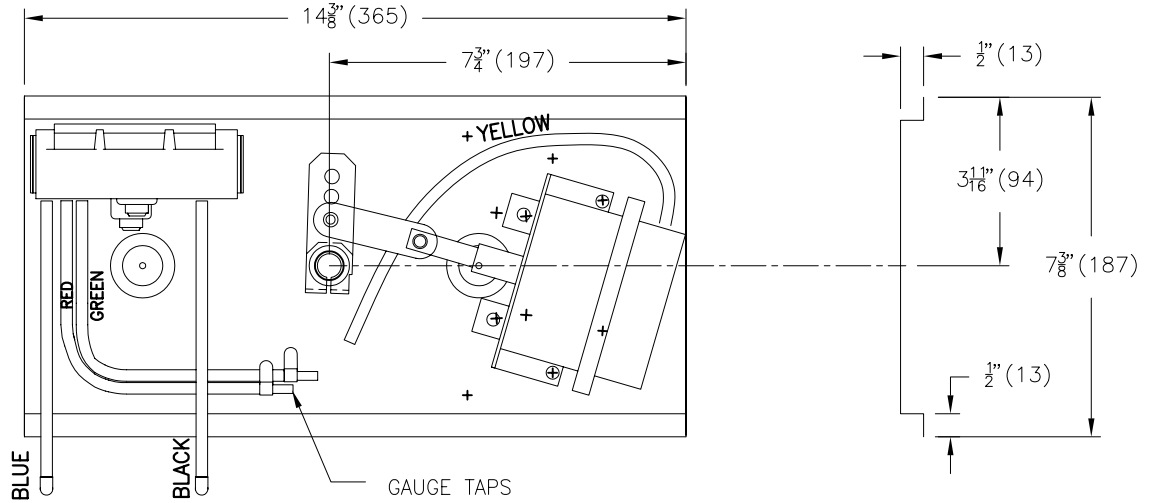
- 20ga OUTER CASING
- RS – BOTTOM REMOVABLE SENSOR

LINERS AND CONSTRUCTION OPTIONS:

- FG75 FG1
- FF PM SM
- FF50 PM1 SM1
- FF1 WFPM CRWF
- LTAF* LTFF* LL
- CRAF AFPM FB
- CRAF1 AFPM1 FB1

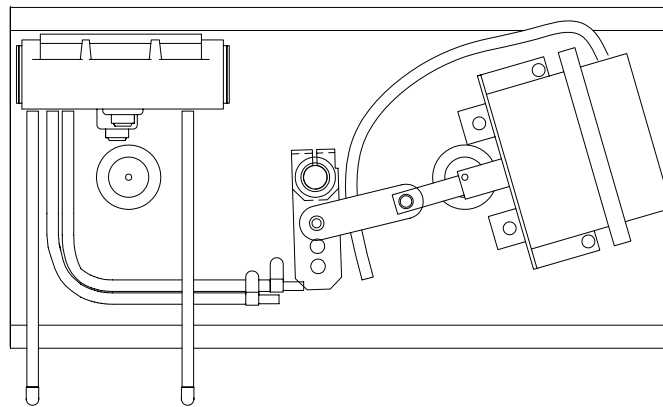
ALL METRIC DIMENSIONS () ARE SOFT CONVERTED. IMPERIAL DIMENSIONS ARE CONVERTED TO METRIC AND ROUNDED TO THE NEAREST MILLIMETER.

PROJECT:		PRICE®	
ENGINEER:		BG	SMV6000 SINGLE DUCT TERMINAL MANUAL AIR CONTROL VALVE
CUSTOMER:		213560	
SUBMITTAL DATE:	SPEC. SYMBOL:	2010/04/26	



PKIT NO

DAMPER NORMALLY OPEN



PKIT NC

DAMPER NORMALLY CLOSED

NOTES:

- 22GA. GALV. MOUNTING PLATE
- PRICE PNEUMATIC ACTUATOR MCP-80313102 5-10 PSI
- PRICE CP101 PNEUMATIC CONTROLLER
- PNEUMATIC TUBING & GAUGE TAPS INCLUDED

ALL METRIC DIMENSIONS () ARE SOFT CONVERTED. IMPERIAL DIMENSIONS ARE CONVERTED TO METRIC AND ROUNDED TO THE NEAREST MILLIMETER.

PROJECT:		PRICE [®]		
ENGINEER:		PKIT PNEUMATIC KIT FOR TERMINALS		
CUSTOMER:				245703
SUBMITTAL DATE:	SPEC. SYMBOL:			02/23/2006